

Connector Miniature

Connector for thermocouple and RTD circuits. Suited for small wires and mineral insulated cables.

Construction :

Glass filled high quality thermoplastic body with original thermocouple material pins and springloaded inserts.

Polarized pins ensure proper connection.

Easy wire connection through sandwich construction.

Molded barriers prevent short circuit.

Rugged one body design.

Stainless Steel screws with Phillips head.

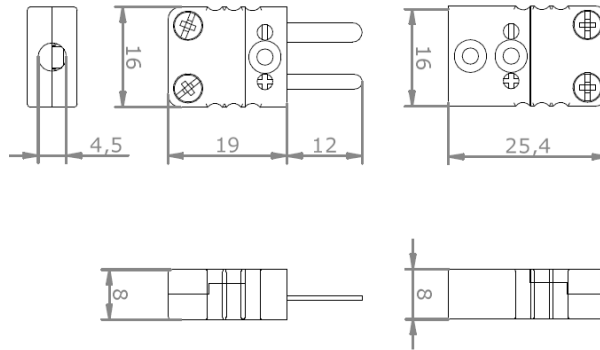
Wire size :

Accepts wires up to 0,6 mm.

Maximum cable diameter 4,5 mm.

Temperature rating :

220°C Max.



Sensor type	E	J	K	N	T	U	R/S Pt13Rh/ Pt	C W5Re/ W26Re	B Pt6Rh/ Pt30Rh
Material Positive	NiCr	Fe	NiCr	NiCrSi	Cu	Cu	Cu	CPX	Cu
Material Negative	CuNi	CuNi	NiAl	NiSi	CuNi	Cu	Alloy #11	CNX	Cu
IEC Color Code									
Color Body	Violet	Black	Green	Pink	Brown	White	Orange	Red	Grey
ANSI Color Code									
Color Body	Violet	Black	Yellow	Orange	Blue	White	Green	Red	Grey
DIN Color Code									
Color Body		Blue	Green		Brown		White		Grey