



Connector Standard

Connector for thermocouple and RTD circuits. Solid pin design ensures good contact even in demanding applications. Hollow pin design offers a good quality product at competitive pricing for less frequently used connectors.

Construction :

Glass filled high quality thermoplastic body with original thermocouple material pins and springloaded inserts.

Polarized pins.

Central cover screw design for quick wiring.

Molded barriers prevent short circuit.

Captive cover screw for easy assembly.

Easy wire connection through sandwich construction

Stainless Steel screws with Phillips hea

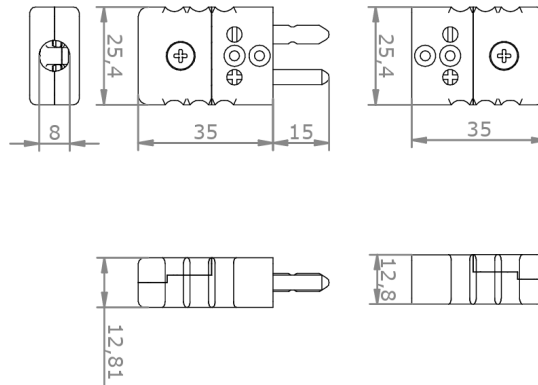
Wire size :

Accepts wires up to 1,6 mm.

Maximum cable diameter 8,0 mm.

Temperature rating :

220°C Max.



Sensor type	E	J	K	N	T	U	R/S Pt13Rh/ Pt	C W5Re/ W26Re	B Pt6Rh/ Pt30Rh
Material Positive	NiCr	Fe	NiCr	NiCrSi	Cu	Cu	Cu	CPX	Cu
Material Negative	CuNi	CuNi	NiAl	NiSi	CuNi	Cu	Alloy #11	CNX	Cu
IEC Color Code									
Color Body	Violet	Black	Green	Pink	Brown	White	Orange	Red	Grey
ANSI Color Code									
Color Body	Violet	Black	Yellow	Orange	Blue	White	Green	Red	Grey
DIN Color Code									
Color Body		Blue	Green		Brown		White		Grey

mit.D. S.r.l.

Web site www.mitd.it e-mail info@mitd.it