

## Panels

### Panel Standard Insert

Connector for thermocouple and RTD circuits. Solid pin design ensures good contact even in demanding applications. Hollow pin design offers a good quality product at competitive pricing for less frequently used connectors.

**Construction :**

Glass filled thermoplastic body with original thermocouple material pins and springloaded inserts.

Polarized pins ensure proper connection.

Molded barriers prevent short circuit.

Polarity indication on the body - Rugged one body design.

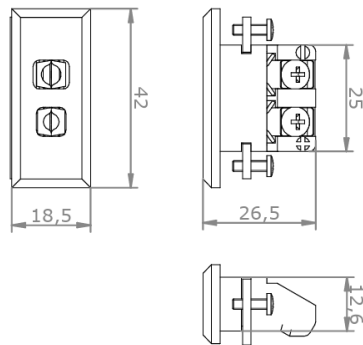
Stainless steel screws and bracket for rear mounting

**Wire size :**

Accepts wires up to 1,6 mm.

**Temperature rating :**

220°C Max.



Sensor type	<b>E</b>	<b>J</b>	<b>K</b>	<b>N</b>	<b>T</b>	<b>U</b>	<b>R/S</b> Pt13Rh/ Pt	<b>C</b> W5Re/ W26Re	<b>B</b> Pt6Rh/ Pt30Rh
Material Positive	NiCr	Fe	NiCr	NiCrSi	Cu	Cu	Cu	CPX	Cu
Material Negative	CuNi	CuNi	NiAl	NiSi	CuNi	Cu	Alloy #11	CNX	Cu
<b>IEC Color Code</b>									
Color Body	Violet	Black	Green	Pink	Brown	White	Orange	Red	Grey
<b>ANSI Color Code</b>									
Color Body	Violet	Black	Yellow	Orange	Blue	White	Green	Red	Grey
<b>DIN Color Code</b>									
Color Body		Blue	Green		Brown		White		Grey