

## Panels

### Panel Insert Round Bracket Mount

Panel insert for thermocouple and RTD circuits. Suited for small wires. Mounting by means of two screws with a bracket behind the panel.

**Construction :**

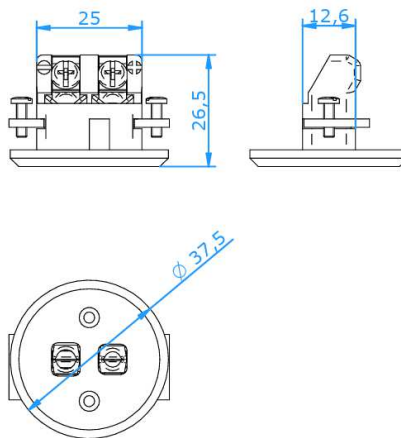
- Glass filled thermoplastic body with original thermocouple material pins and springloaded inserts.
- Polarized pins ensure proper connection.
- Easy wire connection through sandwich construction.
- Molded barriers prevent short circuit.
- Rugged one body design.
- Polarity indication on body .
- Stainless steel screws and bracket for rear mounting.

**Wire size :**

Accepts wires up to 1,6 mm.

**Temperature rating :**

220°C Max.



Sensor type	E	J	K	N	T	U	R/S	C	B
Material Positive	NiCr	Fe	NiCr	NiCrSi	Cu	Cu	Pt13Rh/ Pt	W5Re/ W26Re	Pt6Rh/ Pt30Rh
Material Negative	CuNi	CuNi	NiAl	NiSi	CuNi	Cu	Cu Alloy #11	CPX CNX	Cu Cu
<b>IEC Color Code</b>									
Color Body	Violet	Black	Green	Pink	Brown	White	Orange	Red	Grey
<b>ANSI Color Code</b>									
Color Body	Violet	Black	Yellow	Orange	Blue	White	Green	Red	Grey
<b>DIN Color Code</b>									
Color Body		Blue	Green		Brown		White		Grey