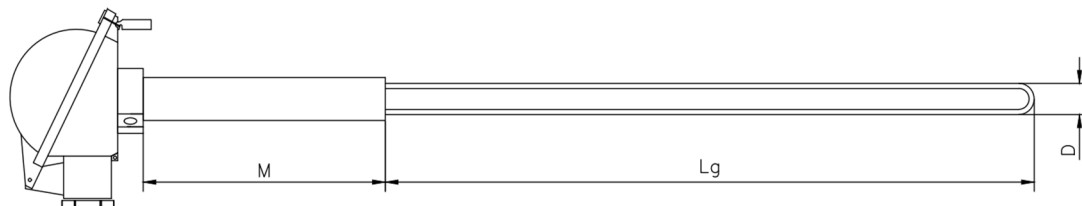




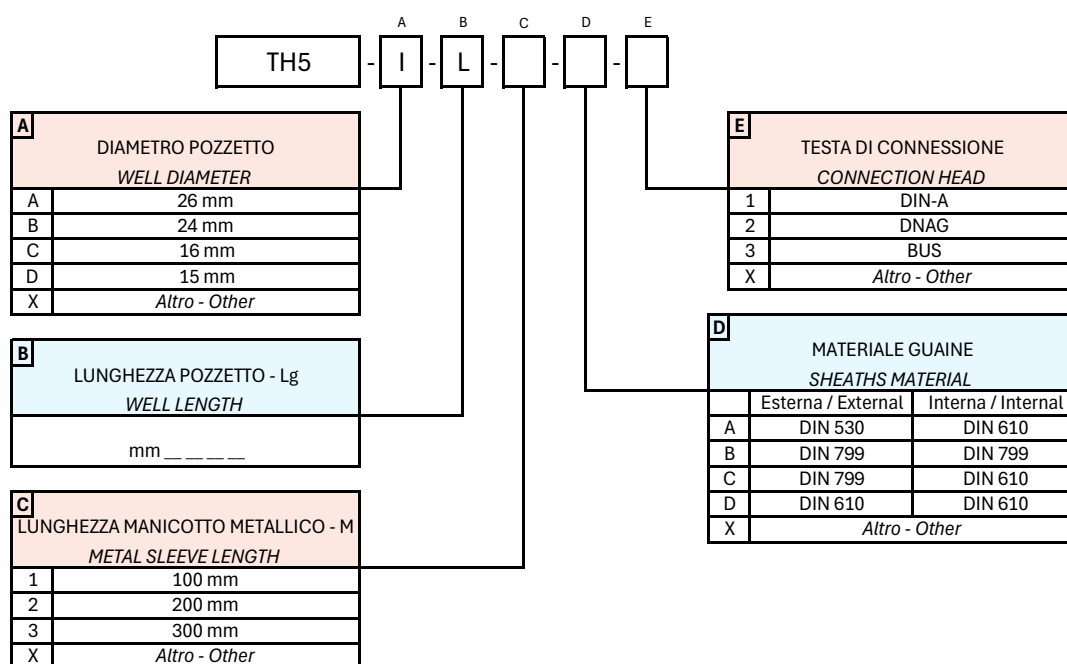
POZZETTO CON DOPPIO TUBO CERAMICO E MANICOTTO IN METALLO
Ceramic thermowell for thermocouple with double tube and metal sleeve

TH5



Pozzetto con doppio tubo ceramico, modello TH5, con manicotto in metallo. Adatto per misurazioni ad alte temperature ed in ambienti pericolosi e aggressivi.

Thermowell for thermocouple with double ceramic tube, model TH5, with metal sleeve. Suitable for high-temperature measurements and in hazardous and aggressive environments.

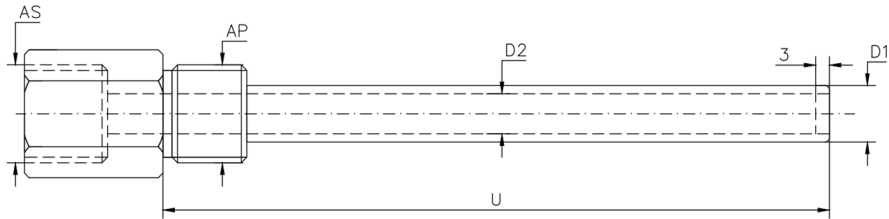




POZZETTO CILINDRICO DA TUBO

Cylindrical tube thermowell

PTU



Pozzetto cilindrico da tubo, modello PTU.

Cylindrical tube thermowell, model PTU.

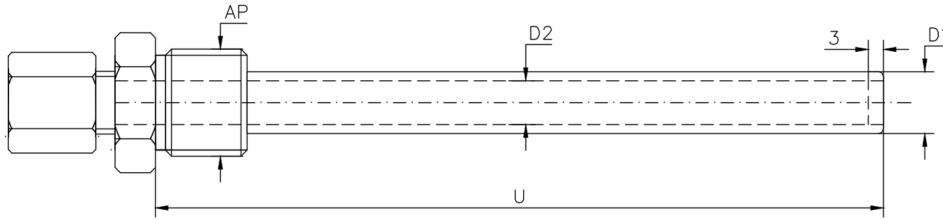
PTU		A	B	C	D	E	F
A		DIAMETRO ESTERNO POZZETTO - D1 <i>EXTERNAL THERMOWELL DIAMETER</i>				F	
A	8 mm					LUNGHEZZA D'IMMERSIONE - U <i>IMMERSION LENGTH</i>	
B	10 mm					mm _____	
C	12 mm					E	
D	14 mm					ATTACCO AL PROCESSO AP <i>PROCESS CONNECTION</i>	
E	16 mm					1	1/4" Gas
F	21,34 mm (1/2")					2	3/8" Gas
X	ALTRO - Other					3	1/2" Gas
B		DIAMETRO INTERNO POZZETTO - D2 <i>INTERNAL THERMOWELL DIAMETER</i>				4	1" Gas
1	6 mm (ext. Ø8 mm)					5	1/4" NPT
2	7 mm (ext. Ø10 mm)					6	1/2" NPT
3	9 mm (ext. Ø12 mm)					7	3/4" NPT
4	10 mm (ext. Ø14 mm)					8	1" NPT
5	12 mm (ext. Ø16 mm)					X	ALTRO - Other
6	15,8 mm (ext. Ø1/2")					D	
X	ALTRO - Other					ATTACCO ALLO STRUMENTO AS <i>INSTRUMENT CONNECTION</i>	
C		MATERIALE <i>MATERIAL</i>				1	1/4" Gas
A	AISI 304					2	3/8" Gas
B	AISI 310					3	1/2" Gas
C	AISI 316					4	1" Gas
X	ALTRO - Other					5	1/4" NPT
						6	1/2" NPT
						X	ALTRO - Other



POZZETTO CILINDRICO DA TUBO CON ATTACCO A COMPRESSIONE
INCORPORATO

Cylindrical tube thermowell with integrated compression fitting

PTS



Pozzetto cilindrico da tubo, modello PTS. con attacco a compressione incorporato.

Cylindrical tube thermowell, model PTS, with integrated compression fitting.

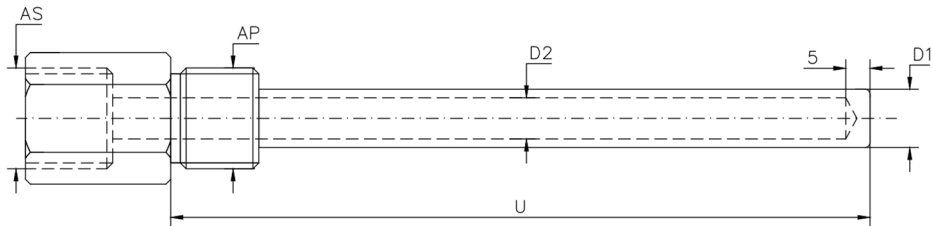
	A	B	C	D	E																																																																	
PTS	D	U	[]	[]	[]																																																																	
<table border="1" style="width: 100%; border-collapse: collapse;"> <tr> <th colspan="2">A</th> </tr> <tr> <td colspan="2">DIAMETRO ESTERNO POZZETTO - D1 <i>EXTERNAL THERMOWELL DIAMETER</i></td> </tr> <tr><td>A</td><td>8 mm</td></tr> <tr><td>B</td><td>10 mm</td></tr> <tr><td>C</td><td>12 mm</td></tr> <tr><td>D</td><td>14 mm</td></tr> <tr><td>E</td><td>16 mm</td></tr> <tr><td>F</td><td>21,34 mm (1/2")</td></tr> <tr><td>X</td><td>ALTRO - Other</td></tr> </table>	A		DIAMETRO ESTERNO POZZETTO - D1 <i>EXTERNAL THERMOWELL DIAMETER</i>		A	8 mm	B	10 mm	C	12 mm	D	14 mm	E	16 mm	F	21,34 mm (1/2")	X	ALTRO - Other		<table border="1" style="width: 100%; border-collapse: collapse;"> <tr> <th colspan="2">B</th> </tr> <tr> <td colspan="2">DIAMETRO INTERNO POZZETTO - D2 <i>INTERNAL THERMOWELL DIAMETER</i></td> </tr> <tr><td>1</td><td>6 mm (ext. Ø8 mm)</td></tr> <tr><td>2</td><td>7 mm (ext. Ø10 mm)</td></tr> <tr><td>3</td><td>9 mm (ext. Ø12 mm)</td></tr> <tr><td>4</td><td>10 mm (ext. Ø14 mm)</td></tr> <tr><td>5</td><td>12 mm (ext. Ø16 mm)</td></tr> <tr><td>6</td><td>15,8 mm (ext. Ø1 1/2")</td></tr> <tr><td>X</td><td>ALTRO - Other</td></tr> </table>	B		DIAMETRO INTERNO POZZETTO - D2 <i>INTERNAL THERMOWELL DIAMETER</i>		1	6 mm (ext. Ø8 mm)	2	7 mm (ext. Ø10 mm)	3	9 mm (ext. Ø12 mm)	4	10 mm (ext. Ø14 mm)	5	12 mm (ext. Ø16 mm)	6	15,8 mm (ext. Ø1 1/2")	X	ALTRO - Other			<table border="1" style="width: 100%; border-collapse: collapse;"> <tr> <th colspan="2">E</th> </tr> <tr> <td colspan="2">ATTACCO AL PROCESSO AP <i>PROCESS CONNECTION</i></td> </tr> <tr><td>1</td><td>1/4" Gas</td></tr> <tr><td>2</td><td>3/8" Gas</td></tr> <tr><td>3</td><td>1/2" Gas</td></tr> <tr><td>4</td><td>1" Gas</td></tr> <tr><td>5</td><td>1/4" NPT</td></tr> <tr><td>6</td><td>1/2" NPT</td></tr> <tr><td>7</td><td>3/4" NPT</td></tr> <tr><td>8</td><td>1" NPT</td></tr> <tr><td>X</td><td>ALTRO - Other</td></tr> </table>	E		ATTACCO AL PROCESSO AP <i>PROCESS CONNECTION</i>		1	1/4" Gas	2	3/8" Gas	3	1/2" Gas	4	1" Gas	5	1/4" NPT	6	1/2" NPT	7	3/4" NPT	8	1" NPT	X	ALTRO - Other	<table border="1" style="width: 100%; border-collapse: collapse;"> <tr> <th colspan="2">F</th> </tr> <tr> <td colspan="2">LUNGHEZZA D'IMMERSIONE - U <i>IMMERSION LENGTH</i></td> </tr> <tr> <td></td> <td>mm _____</td> </tr> </table>	F		LUNGHEZZA D'IMMERSIONE - U <i>IMMERSION LENGTH</i>			mm _____
A																																																																						
DIAMETRO ESTERNO POZZETTO - D1 <i>EXTERNAL THERMOWELL DIAMETER</i>																																																																						
A	8 mm																																																																					
B	10 mm																																																																					
C	12 mm																																																																					
D	14 mm																																																																					
E	16 mm																																																																					
F	21,34 mm (1/2")																																																																					
X	ALTRO - Other																																																																					
B																																																																						
DIAMETRO INTERNO POZZETTO - D2 <i>INTERNAL THERMOWELL DIAMETER</i>																																																																						
1	6 mm (ext. Ø8 mm)																																																																					
2	7 mm (ext. Ø10 mm)																																																																					
3	9 mm (ext. Ø12 mm)																																																																					
4	10 mm (ext. Ø14 mm)																																																																					
5	12 mm (ext. Ø16 mm)																																																																					
6	15,8 mm (ext. Ø1 1/2")																																																																					
X	ALTRO - Other																																																																					
E																																																																						
ATTACCO AL PROCESSO AP <i>PROCESS CONNECTION</i>																																																																						
1	1/4" Gas																																																																					
2	3/8" Gas																																																																					
3	1/2" Gas																																																																					
4	1" Gas																																																																					
5	1/4" NPT																																																																					
6	1/2" NPT																																																																					
7	3/4" NPT																																																																					
8	1" NPT																																																																					
X	ALTRO - Other																																																																					
F																																																																						
LUNGHEZZA D'IMMERSIONE - U <i>IMMERSION LENGTH</i>																																																																						
	mm _____																																																																					
<table border="1" style="width: 100%; border-collapse: collapse;"> <tr> <th colspan="2">C</th> </tr> <tr> <td colspan="2">MATERIALE <i>MATERIAL</i></td> </tr> <tr><td>A</td><td>AISI 304</td></tr> <tr><td>B</td><td>AISI 310</td></tr> <tr><td>C</td><td>AISI 316</td></tr> <tr><td>X</td><td>ALTRO - Other</td></tr> </table>	C		MATERIALE <i>MATERIAL</i>		A	AISI 304	B	AISI 310	C	AISI 316	X	ALTRO - Other		<table border="1" style="width: 100%; border-collapse: collapse;"> <tr> <th colspan="2">D</th> </tr> <tr> <td colspan="2">ATTACCO ALLO STRUMENTO AS <i>INSTRUMENT CONNECTION</i></td> </tr> <tr><td>1</td><td>1/4" Gas</td></tr> <tr><td>2</td><td>3/8" Gas</td></tr> <tr><td>3</td><td>1/2" Gas</td></tr> <tr><td>4</td><td>1" Gas</td></tr> <tr><td>5</td><td>1/4" NPT</td></tr> <tr><td>6</td><td>1/2" NPT</td></tr> <tr><td>X</td><td>ALTRO - Other</td></tr> </table>	D		ATTACCO ALLO STRUMENTO AS <i>INSTRUMENT CONNECTION</i>		1	1/4" Gas	2	3/8" Gas	3	1/2" Gas	4	1" Gas	5	1/4" NPT	6	1/2" NPT	X	ALTRO - Other																																						
C																																																																						
MATERIALE <i>MATERIAL</i>																																																																						
A	AISI 304																																																																					
B	AISI 310																																																																					
C	AISI 316																																																																					
X	ALTRO - Other																																																																					
D																																																																						
ATTACCO ALLO STRUMENTO AS <i>INSTRUMENT CONNECTION</i>																																																																						
1	1/4" Gas																																																																					
2	3/8" Gas																																																																					
3	1/2" Gas																																																																					
4	1" Gas																																																																					
5	1/4" NPT																																																																					
6	1/2" NPT																																																																					
X	ALTRO - Other																																																																					



POZZETTO CILINDRICO DA BARRA CON ATTACCO AL PROCESSO FILETTATO

Solid cylindrical thermowell with threaded process connection

PPC



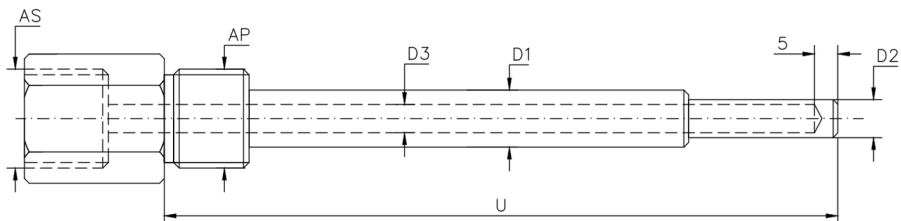
Pozzetto cilindrico da barra modello PPC, con attacco al processo filettato.

Solid cylindrical thermowell, model PPC, with threaded process connection.

PPC - A - B - C - D - E - F	
A	DIAMETRO ESTERNO POZZETTO - D1 <i>EXTERNAL THERMOWELL DIAMETER</i>
A	14 mm
B	16 mm
C	20mm
D	24mm
E	26 mm
X	ALTRO - Other
B	DIAMETRO INTERNO POZZETTO - D2 <i>INTERNAL THERMOWELL DIAMETER</i>
1	6,5mm
2	7 mm
3	9 mm
X	ALTRO - Other
C	MATERIALE <i>MATERIAL</i>
A	AISI 304
B	AISI 310
C	AISI 316
H	HASTELLOY
M	MONEL
X	ALTRO - Other
F	LUNGHEZZA D'IMMERSIONE - U <i>IMMERSION LENGTH</i>
mm _____	
E	ATTACCO AL PROCESSO AP <i>PROCESS CONNECTION</i>
1	1/2" Gas
2	3/4" Gas
3	1" Gas
4	1/2" NPT
5	3/4" NPT
6	1" NPT
X	ALTRO - Other
D	ATTACCO ALLO STRUMENTO AS <i>INSTRUMENT CONNECTION</i>
1	1/4" Gas
2	3/8" Gas
3	1/2" Gas
4	1/4" NPT
5	1/2" NPT
X	ALTRO - Other



**POZZETTO DA BARRA RASTREMATO CILINDRICO CON ATTACCO AL PROCESSO
FILETTATO**
Solid tapered cylindrical thermowell with threaded process connection
PPN



Pozzetto da barra rastremato cilindrico, modello PPN, con attacco al processo filettato.

Solid tapered cylindrical thermowell, model PPN, with threaded process connection.

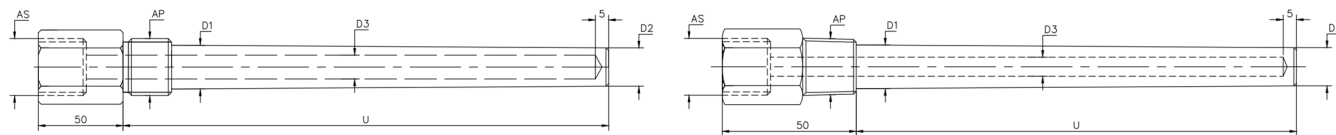
	B	C	D	E	F	G																												
	-	-	-	-	-	-	PPN																											
<table border="1" style="width: 100%; border-collapse: collapse;"> <tr> <td style="background-color: #f8d7da;">A</td> <td>DIAMETRO ESTERNO POZZETTO - D1/D2 <i>EXTERNAL THERMOWELL DIAMETER</i></td> </tr> <tr> <td>A</td> <td>16/12,5 mm</td> </tr> <tr> <td>B</td> <td>22/14 mm</td> </tr> <tr> <td>C</td> <td>26/18</td> </tr> <tr> <td>X</td> <td>ALTRO - Other</td> </tr> </table>	A	DIAMETRO ESTERNO POZZETTO - D1/D2 <i>EXTERNAL THERMOWELL DIAMETER</i>	A	16/12,5 mm	B	22/14 mm	C	26/18	X	ALTRO - Other					<table border="1" style="width: 100%; border-collapse: collapse;"> <tr> <td style="background-color: #d1ecf1;">F</td> <td>LUNGHEZZA D'IMMERSIONE - U <i>IMMERSION LENGTH</i></td> </tr> <tr> <td></td> <td>mm _____</td> </tr> </table>	F	LUNGHEZZA D'IMMERSIONE - U <i>IMMERSION LENGTH</i>		mm _____															
A	DIAMETRO ESTERNO POZZETTO - D1/D2 <i>EXTERNAL THERMOWELL DIAMETER</i>																																	
A	16/12,5 mm																																	
B	22/14 mm																																	
C	26/18																																	
X	ALTRO - Other																																	
F	LUNGHEZZA D'IMMERSIONE - U <i>IMMERSION LENGTH</i>																																	
	mm _____																																	
<table border="1" style="width: 100%; border-collapse: collapse;"> <tr> <td style="background-color: #f8d7da;">B</td> <td>DIAMETRO INTERNO POZZETTO - D3 <i>INTERNAL THERMOWELL DIAMETER</i></td> </tr> <tr> <td>1</td> <td>7 mm</td> </tr> <tr> <td>2</td> <td>9 mm</td> </tr> <tr> <td>X</td> <td>ALTRO - Other</td> </tr> </table>	B	DIAMETRO INTERNO POZZETTO - D3 <i>INTERNAL THERMOWELL DIAMETER</i>	1	7 mm	2	9 mm	X	ALTRO - Other					<table border="1" style="width: 100%; border-collapse: collapse;"> <tr> <td style="background-color: #d1ecf1;">E</td> <td>ATTACCO AL PROCESSO AP <i>PROCESS CONNECTION</i></td> </tr> <tr> <td>1</td> <td>1/2" Gas</td> </tr> <tr> <td>2</td> <td>3/4" Gas</td> </tr> <tr> <td>3</td> <td>1" Gas</td> </tr> <tr> <td>4</td> <td>1/2" NPT</td> </tr> <tr> <td>5</td> <td>3/4" NPT</td> </tr> <tr> <td>6</td> <td>1" NPT</td> </tr> <tr> <td>X</td> <td>ALTRO - Other</td> </tr> </table>	E	ATTACCO AL PROCESSO AP <i>PROCESS CONNECTION</i>	1	1/2" Gas	2	3/4" Gas	3	1" Gas	4	1/2" NPT	5	3/4" NPT	6	1" NPT	X	ALTRO - Other					
B	DIAMETRO INTERNO POZZETTO - D3 <i>INTERNAL THERMOWELL DIAMETER</i>																																	
1	7 mm																																	
2	9 mm																																	
X	ALTRO - Other																																	
E	ATTACCO AL PROCESSO AP <i>PROCESS CONNECTION</i>																																	
1	1/2" Gas																																	
2	3/4" Gas																																	
3	1" Gas																																	
4	1/2" NPT																																	
5	3/4" NPT																																	
6	1" NPT																																	
X	ALTRO - Other																																	
<table border="1" style="width: 100%; border-collapse: collapse;"> <tr> <td style="background-color: #f8d7da;">C</td> <td>MATERIALE <i>MATERIAL</i></td> </tr> <tr> <td>A</td> <td>AISI 304</td> </tr> <tr> <td>B</td> <td>AISI 310</td> </tr> <tr> <td>c</td> <td>AISI 316</td> </tr> <tr> <td>H</td> <td>HASTELLOY</td> </tr> <tr> <td>M</td> <td>MONEL</td> </tr> <tr> <td>X</td> <td>ALTRO - Other</td> </tr> </table>	C	MATERIALE <i>MATERIAL</i>	A	AISI 304	B	AISI 310	c	AISI 316	H	HASTELLOY	M	MONEL	X	ALTRO - Other					<table border="1" style="width: 100%; border-collapse: collapse;"> <tr> <td style="background-color: #d1ecf1;">D</td> <td>ATTACCO ALLO STRUMENTO AS <i>INSTRUMENT CONNECTION</i></td> </tr> <tr> <td>1</td> <td>1/4" Gas</td> </tr> <tr> <td>2</td> <td>3/8" Gas</td> </tr> <tr> <td>3</td> <td>1/2" Gas</td> </tr> <tr> <td>4</td> <td>1/4" NPT</td> </tr> <tr> <td>5</td> <td>1/2" NPT</td> </tr> <tr> <td>X</td> <td>ALTRO - Other</td> </tr> </table>	D	ATTACCO ALLO STRUMENTO AS <i>INSTRUMENT CONNECTION</i>	1	1/4" Gas	2	3/8" Gas	3	1/2" Gas	4	1/4" NPT	5	1/2" NPT	X	ALTRO - Other	
C	MATERIALE <i>MATERIAL</i>																																	
A	AISI 304																																	
B	AISI 310																																	
c	AISI 316																																	
H	HASTELLOY																																	
M	MONEL																																	
X	ALTRO - Other																																	
D	ATTACCO ALLO STRUMENTO AS <i>INSTRUMENT CONNECTION</i>																																	
1	1/4" Gas																																	
2	3/8" Gas																																	
3	1/2" Gas																																	
4	1/4" NPT																																	
5	1/2" NPT																																	
X	ALTRO - Other																																	



POZZETTO RASTREMATO CONICO DA BARRA CON ATTACCO AL PROCESSO
FILETTATO

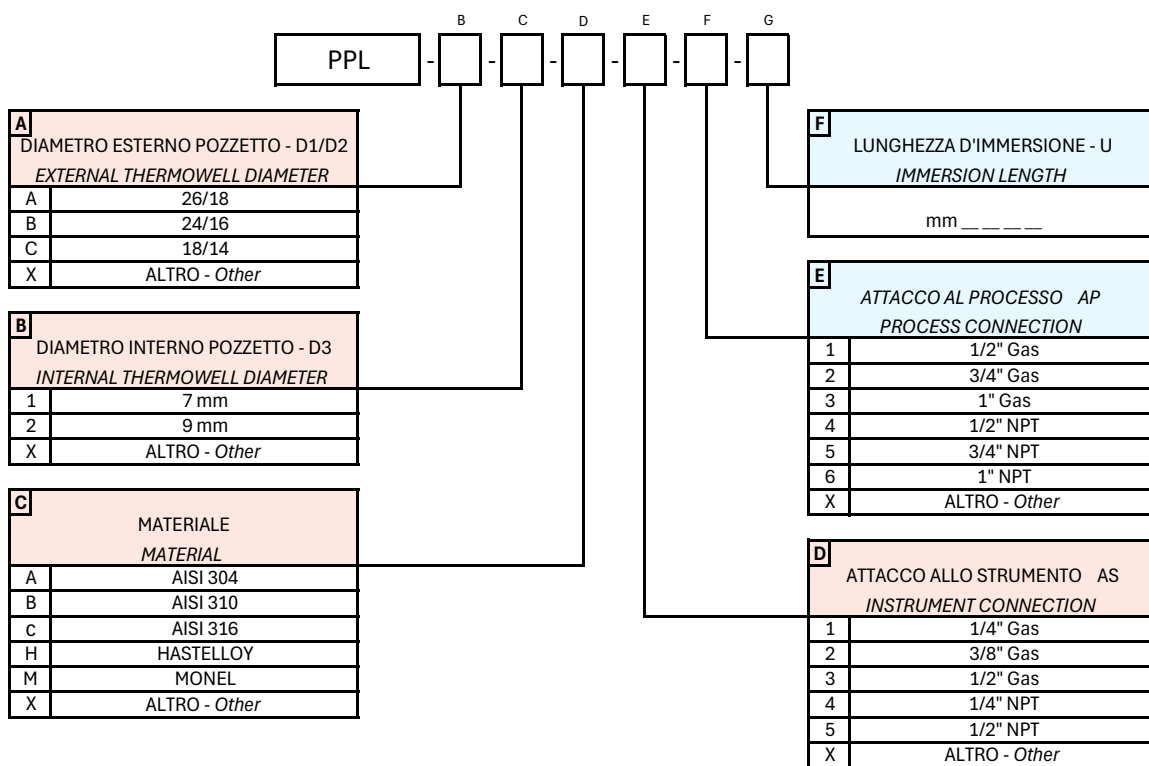
Solid tapered conical thermowell with threaded process connection

PPL



Pozzetto rastremato cilindrico da barra, modello PPL.

Solid tapered cylindrical thermowell, model PPL.

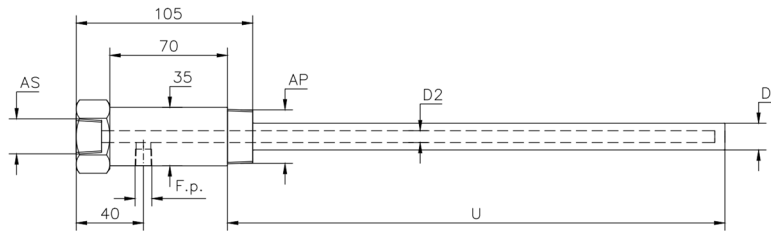




POZZETTO CILINDRICO DA BARRA CON ATTACCO AL PROCESSO FILETTATO E CON FORO DI SFIATO

Solid cylindrical thermowell with threaded process connection and with vent hole

PPB



Pozzetto cilindrico da barra con foro di sfiato e attacco al processo filettato, modello PPB.

Solid cylindrical thermowell with vent hole with threaded process connection, model PPB.

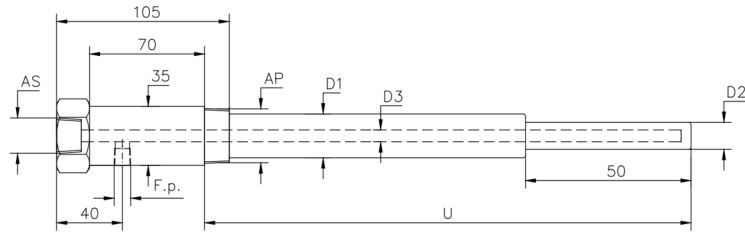
PPB		A	B	C	D	E	F	G
A		DIAMETRO ESTERNO POZZETTO - D1 <i>EXTERNAL THERMOWELL DIAMETER</i>						
A		14 mm						
B		16 mm						
C		20mm						
D		24mm						
E		26 mm						
X		ALTRO - Other						
B		DIAMETRO INTERNO POZZETTO - D2 <i>INTERNAL THERMOWELL DIAMETER</i>						
1		7 mm						
2		9 mm						
X		ALTRO - Other						
C		FORO DI SFIATO F.p. <i>VENT HOLE</i>						
A		M3						
B		1/8" NPT						
X		ALTRO - Other						
D		MATERIALE <i>MATERIAL</i>						
A		AISI 304						
B		AISI 310						
C		AISI 316						
X		ALTRO - Other						
E		ATTACCO ALLO STRUMENTO AS <i>INSTRUMENT CONNECTION</i>						
1		1/4" Gas						
2		3/8" Gas						
3		1/2" Gas						
4		1" Gas						
5		1/4" NPT						
6		1/2" NPT						
X		ALTRO - Other						
F		ATTACCO AL PROCESSO AP <i>PROCESS CONNECTION</i>						
1		1/2" Gas						
2		3/4" Gas						
3		1" Gas						
4		1/2" NPT						
5		3/4" NPT						
6		1" NPT						
X		ALTRO - Other						
G		LUNGHEZZA D'IMMERSIONE - U <i>IMMERSION LENGTH</i>						
		mm _____						



POZZETTO RASTREMATO CILINDRICO DA BARRA CON ATTACCO AL PROCESSO FILETTATO E
CON FORO DI SFIATO

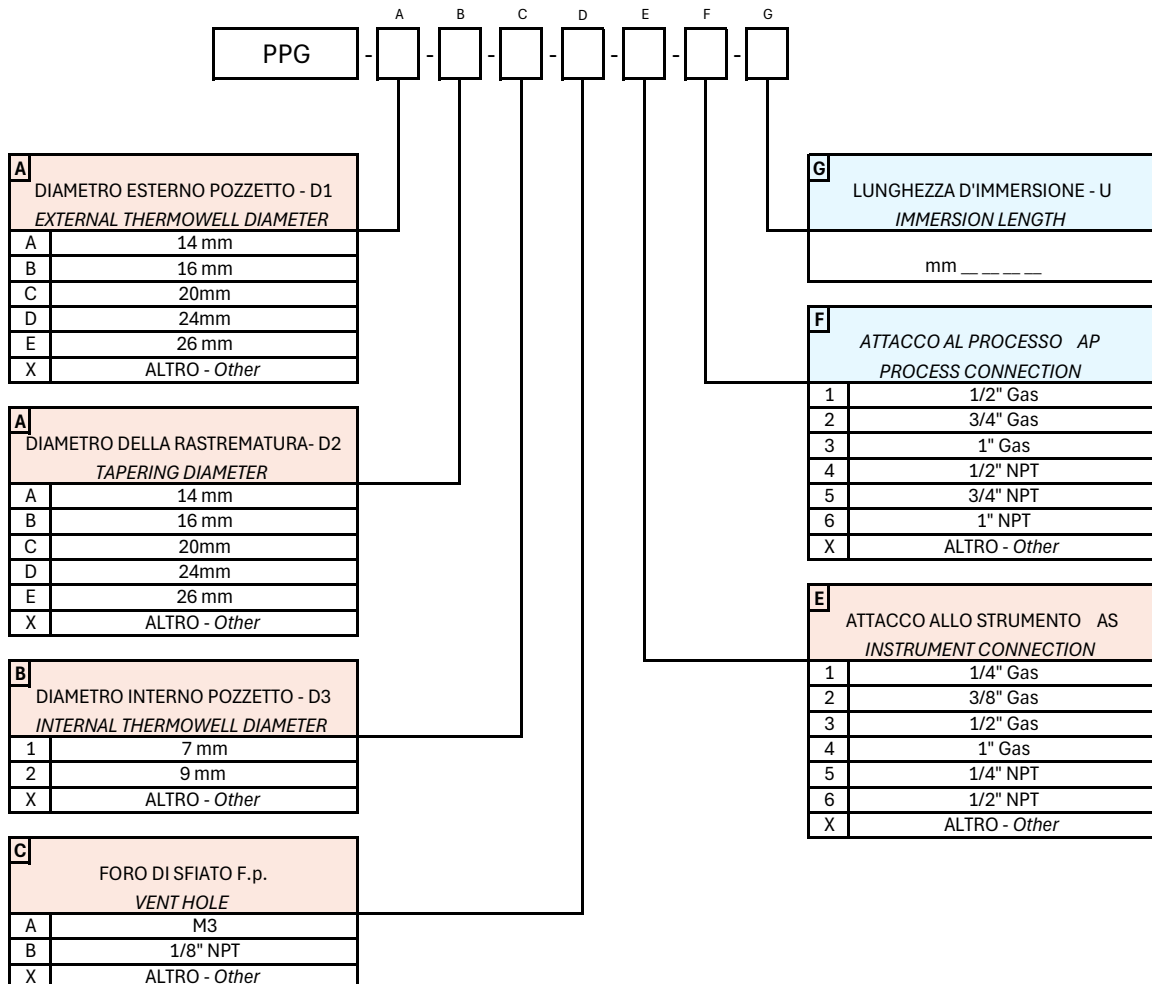
Solid tapered cylindrical thermowell with threaded process connection with vent hole

PPG



Pozzetto rastremato cilindrico da barra, modello PPG, con foro di sfiato e attacco al processo filettato.

Solid tapered cylindrical thermowell with vent hole, model PPG, with hreaded process connection.

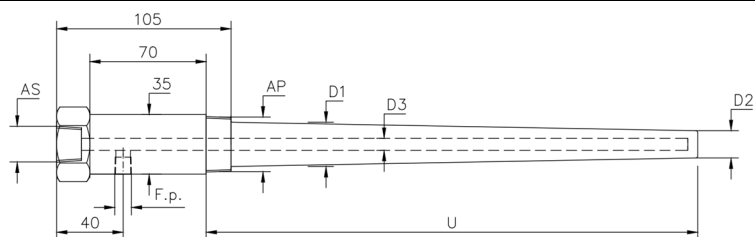




POZZETTO RASTREMATO CONICO DA BARRA CON FORO DI SFIATO E ATTACCO AL PROCESSO
FILETTATO

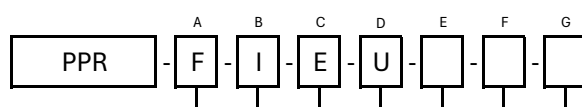
Solid tapered conical thermowell with threaded process connection and vent hole

PPR



Pozzetto rastremato conico da barra, modello PPR, con foro di sfiato e attacco al processo filettato.

Solid tapered conical thermowell with vent hole, model PPR, with hreaded process connection.



A	
DIAMETRO ESTERNO POZZETTO - D1/D2	
EXTERNAL THERMOWELL DIAMETER	
A	26/18
B	24/16
C	18/14
X	ALTRO - Other

B	
DIAMETRO INTERNO POZZETTO - D3	
INTERNAL THERMOWELL DIAMETER	
1	7 mm
2	9 mm
X	ALTRO - Other